

General Information:

All of RPM's Standard Products are designed using COTS (Commercial Off-The-Shelf) components wherever possible. Standard products are easily modified to meet almost any specification. Custom designs, are available on request or as specifications dictate.

Standard Features:

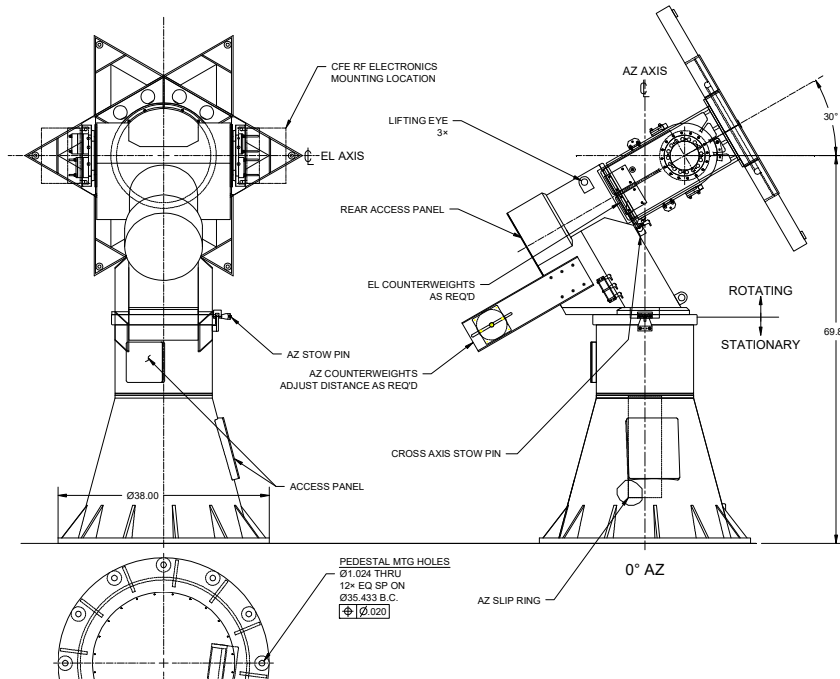
- Modular Construction
- Totally Enclosed, Environmentally Sealed
- Corrosion Resistant Hardware
- Designed to Military Requirements
- Design to Service Requirements

Available on Select Models:

- Rotary Joints, Slip Ring, Waveguide
- Hand Crank, AZ Mechanical Stop
- Integral Controller
- Stow Pins, Failsafe Brakes
- Manual / Electronic Brake Release
- Alternate Mounting
- Dual and/or Antenna Polarization Drive



Dimensions:



Parameters:

		Azimuth	Elevation
Fixed:	Rated Gear Strength	---	---
	Compliance	---	---
	Overturn Moment	29,750 ft-lb	
Variable	Motor Size	1.5 HP DC	1 HP DC
	Drive Configuration	Direct Drive, Single	Direct Drive, Single
	Torque, Continuous	44 lb-ft	25 lb-ft
	Torque, Peak	160 lb-ft	85 lb-ft
	Gear Ratio	---	---
	Travel	Continuous 360°	-52° to 92°
	Max Velocity	23 °/s	23 °/s
	Max Acceleration	18 °/s ²	18 °/s ²
	Backlash	---	---
	Data Package	3 Arc-Min Resolver @ 1:1	3 Arc-Min Resolver @ 1:1
	Limit Switches	NONE	NONE
	Weight	1000 lbs	

- Notes:** 1) Variable parameters may be changed by revising component selection to be more suitable for your particular application
 2) Specifications subject to change without notice.