

**General Information:**

All of RPM's Standard Products are designed using COTS (Commercial Off-The-Shelf) components wherever possible. Standard products are easily modified to meet almost any specification. Custom designs, are available on request or as specifications dictate.

**Standard Features:**

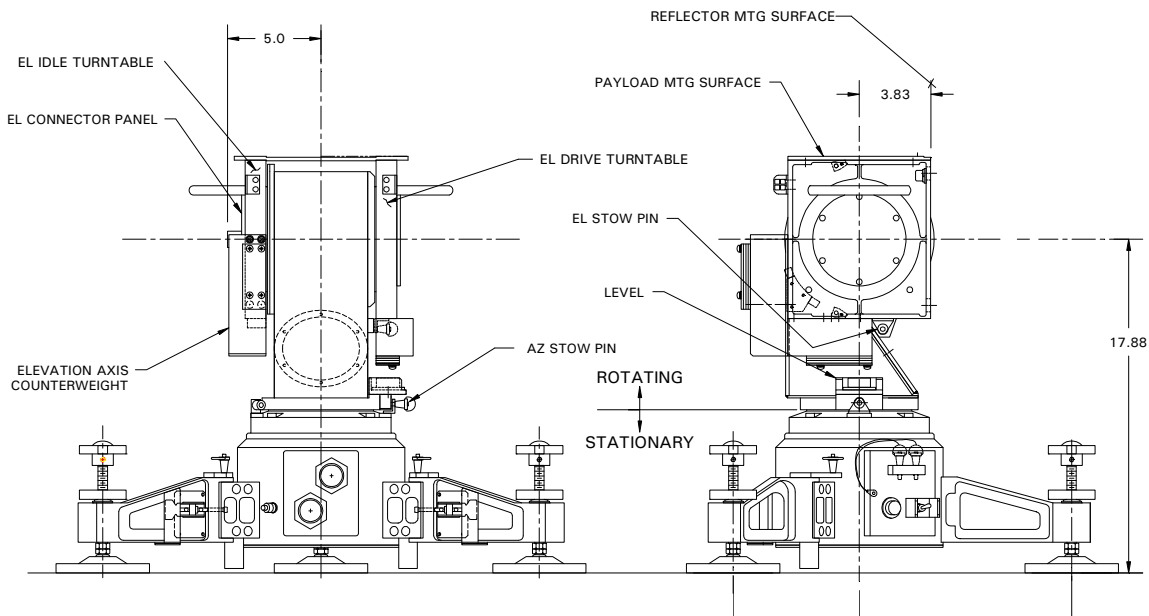
Totally Enclosed, Environmentally Sealed  
Corrosion Resistant Hardware  
Designed to Military Requirements  
Design to Service Requirements

**Available on Select Models:**

Rotary Joints, Slip Ring, Waveguide  
Hand Crank, AZ Mechanical Stop  
Integral Controller  
Stow Pins, Failsafe Brakes  
Manual / Electronic Brake Release  
Alternate Mounting  
Dual and/or Antenna Polarization Drive



**Dimensions:**



**Parameters:**

		<b>Azimuth</b>	<b>Elevation</b>
<b>Fixed:</b>	<b>Rated Gear Strength</b>	---	---
	<b>Compliance</b>	---	---
	<b>Overturn Moment</b>	1,090 ft-lb	
<b>Variable</b>	<b>Motor Size</b>	330 Watt DC (Brush Servo)	330 Watt DC (Brush Servo)
	<b>Drive Configuration</b>	Direct Drive, Single	Direct Drive, Single
	<b>Torque, Continuous</b>	5 lb-ft	5 lb-ft
	<b>Torque, Peak</b>	11 lb-ft	11 lb-ft
	<b>Gear Ratio</b>	---	---
	<b>Travel</b>	±130°	-10° to 90°
	<b>Max Velocity</b>	200 °/s	200 °/s
	<b>Max Acceleration</b>	400 °/s <sup>2</sup>	400 °/s <sup>2</sup>
	<b>Backlash</b>	---	---
	<b>Data Package</b>	17-bit Resolution	17-bit Resolution
	<b>Limit Switches</b>	PRIMARY	PRIMARY
<b>Weight</b>	76 lbs		

- Notes:** 1) Variable parameters may be changed by revising component selection to be more suitable for your particular application  
2) Specifications subject to change without notice.