

General Information:

All of RPM's Standard Products are designed using COTS (Commercial Off-The-Shelf) components wherever possible. Standard products are easily modified to meet almost any specification. Custom designs, are available on request or as specifications dictate.

Standard Features:

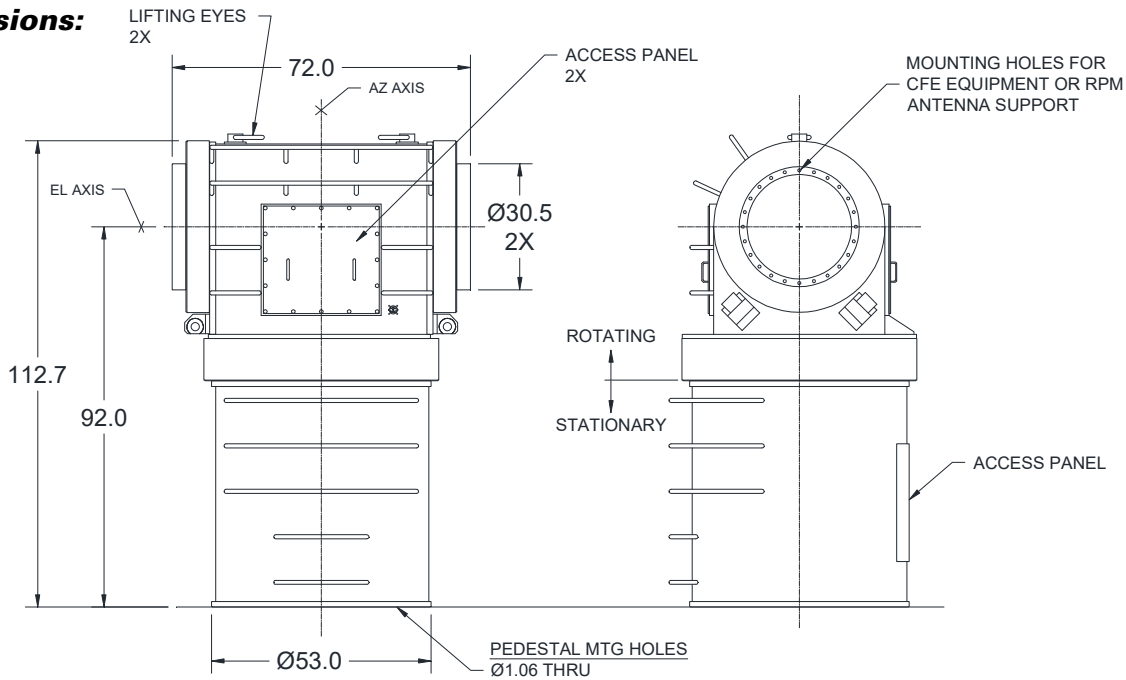
Totally Enclosed, Environmentally Sealed
Corrosion Resistant Hardware
Designed to Military Requirements
Design to Service Requirements

Available on Select Models:

Rotary Joints, Slip Ring, Waveguide
Hand Crank, AZ Mechanical Stop
Integral Controller
Stow Pins, Failsafe Brakes
Manual / Electronic Brake Release
Alternate Mounting
Dual and/or Antenna Polarization Drive



Dimensions:



Parameters:

		Azimuth	Elevation
Fixed:	Rated Gear Strength	50000 lb-ft	50000 lb-ft
	Compliance	4.00E-08 rad/lb-ft	4.00E-08 rad/lb-ft
	Overturn Moment	400,000 ft-lb	
Variable	Motor Size	1.6 HP DC (Brushless Servo)	1.6 HP DC (Brushless Servo)
	Drive Configuration	Gear Drive, Dual	Gear Drive, Dual
	Torque, Continuous	25000 lb-ft	25000 lb-ft
	Torque, Peak	30000 lb-ft	30000 lb-ft
	Gear Ratio	25308 : 1	25650 : 1
	Travel	±270°	0° to 90°
	Max Velocity	1 °/s	1 °/s
	Max Acceleration	1 °/s ²	1 °/s ²
	Backlash	---	---
	Data Package	26-bit Resolution	26-bit Resolution
	Limit Switches	PRIMARY/SECONDARY	PRIMARY/SECONDARY
	Weight	25000 lbs	

- Notes:** 1) Variable parameters may be changed by revising component selection to be more suitable for your particular application
2) Specifications subject to change without notice.