

General Information:

All of RPM's Standard Products are designed using COTS (Commercial Off-The-Shelf) components wherever possible. Standard products are easily modified to meet almost any specification. Custom designs, are available on request or as specifications dictate.

Standard Features:

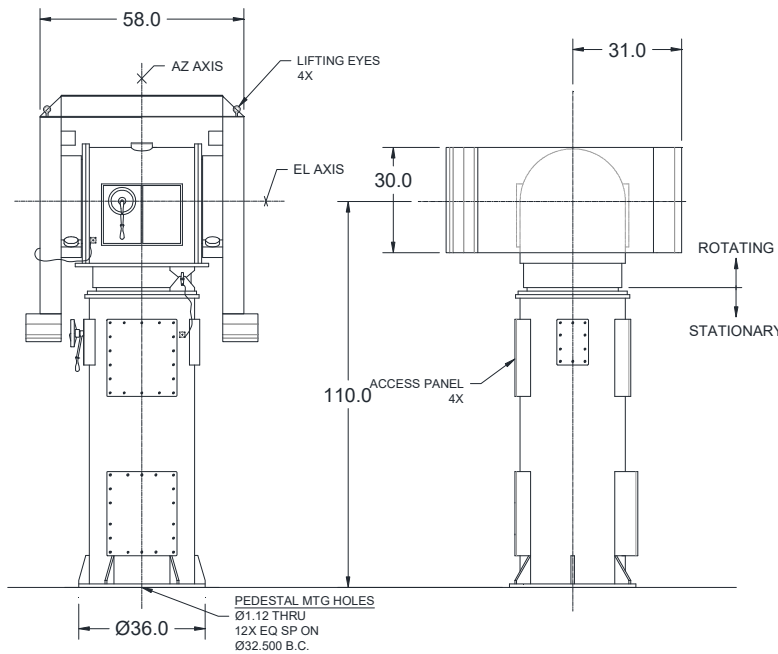
- Totally Enclosed, Environmentally Sealed
- Corrosion Resistant Hardware
- Designed to Military Requirements
- Design to Service Requirements

Available on Select Models:

- Rotary Joints, Slip Ring, Waveguide
- Hand Crank, AZ Mechanical Stop
- Integral Controller
- Stow Pins, Failsafe Brakes
- Manual / Electronic Brake Release
- Alternate Mounting
- Dual and/or Antenna Polarization Drive



Dimensions:



Parameters:

	Azimuth	Elevation
Fixed:		
Rated Gear Strength	---	---
Compliance	1.80E-07 rad/lb-ft	1.80E-07 rad/lb-ft
Overturn Moment	90,000 ft-lb	
Variable		
Motor Size	7 HP DC (Brushless Servo)	7 HP DC (Brushless Servo)
Drive Configuration	Gear Drive, Single	Gear Drive, Single
Torque, Continuous	6500 lb-ft	6500 lb-ft
Torque, Peak	9000 lb-ft	9000 lb-ft
Gear Ratio	533.5 : 1	533.5 : 1
Travel	Continuous 360°	-50° to 80°
Max Velocity	30 °/s	30 °/s
Max Acceleration	30 °/s ²	30 °/s ²
Backlash	< 0.02°	< 0.02°
Data Package	19-bit Resolution	19-bit Resolution
Limit Switches	NONE	PRIMARY/SECONDARY
Weight	2800 lbs	

- Notes:**
- 1) Variable parameters may be changed by revising component selection to be more suitable for your particular application
 - 2) Specifications subject to change without notice.