

General Information:

All of RPM's Standard Products are designed using COTS (Commercial Off-The-Shelf) components wherever possible. Standard products are easily modified to meet almost any specification. Custom designs, are available on request or as specifications dictate.

Standard Features:

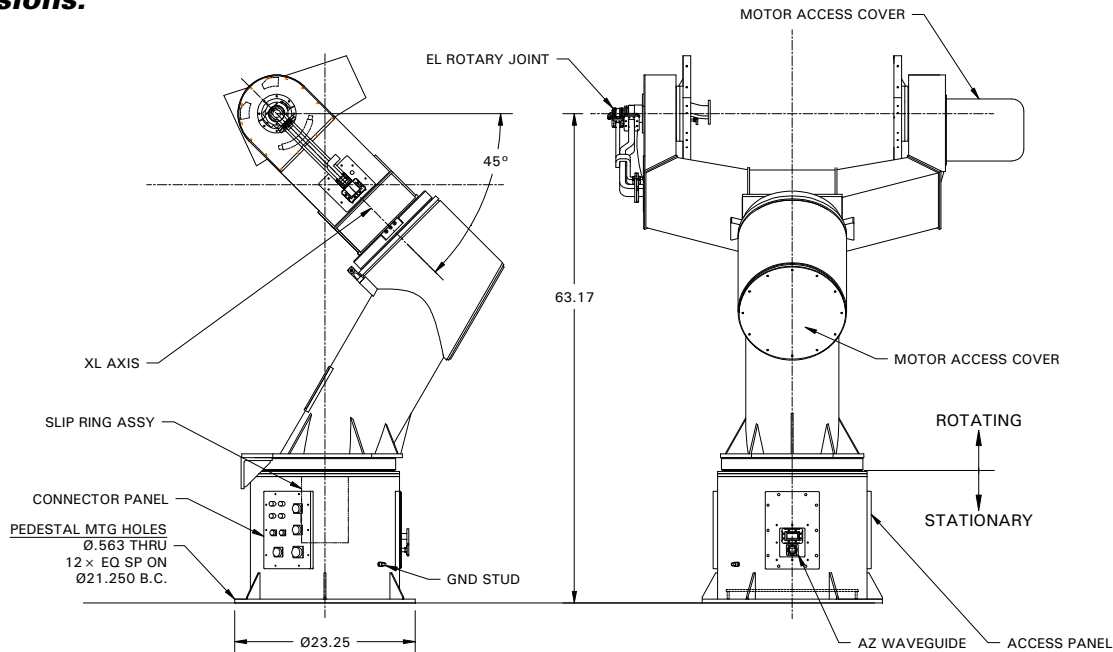
Totally Enclosed, Environmentally Sealed
Corrosion Resistant Hardware
Designed to Military Requirements
Design to Service Requirements

Available on Select Models:

Rotary Joints, Slip Ring, Waveguide
Hand Crank, AZ Mechanical Stop
Integral Controller
Stow Pins, Failsafe Brakes
Manual / Electronic Brake Release
Alternate Mounting
Dual and/or Antenna Polarization Drive



Dimensions:



Parameters:

| | | Azimuth | Elevation |
|-----------------|----------------------------|----------------------|----------------------|
| Fixed: | Rated Gear Strength | 478 lb-ft | 344 lb-ft |
| | Compliance | 6.00E-06 rad/lb-ft | 6.00E-06 rad/lb-ft |
| | Overturn Moment | 10,230 ft-lb | |
| Variable | Motor Size | 50 Watt DC | 50 Watt DC |
| | Drive Configuration | Gear Drive, Single | Gear Drive, Single |
| | Torque, Continuous | 150 lb-ft | 150 lb-ft |
| | Torque, Peak | 300 lb-ft | 215 lb-ft |
| | Gear Ratio | 1000 : 1 | 720 : 1 |
| | Travel | Continuous 360° | -25° to 130° |
| | Max Velocity | 25 °/s | 25 °/s |
| | Max Acceleration | 100 °/s ² | 100 °/s ² |
| | Backlash | < 0.03° | < 0.03° |
| | Data Package | 3 Arc-Min Resolver | 3 Arc-Min Resolver |
| | Limit Switches | NONE | PRIMARY/SECONDARY |
| Weight | 385 lbs | | |

- Notes:** 1) Variable parameters may be changed by revising component selection to be more suitable for your particular application
2) Specifications subject to change without notice.