

**General Information:**

All of RPM's Standard Products are designed using COTS (Commercial Off-The-Shelf) components wherever possible. Standard products are easily modified to meet almost any specification. Custom designs, are available on request or as specifications dictate.

**Standard Features:**

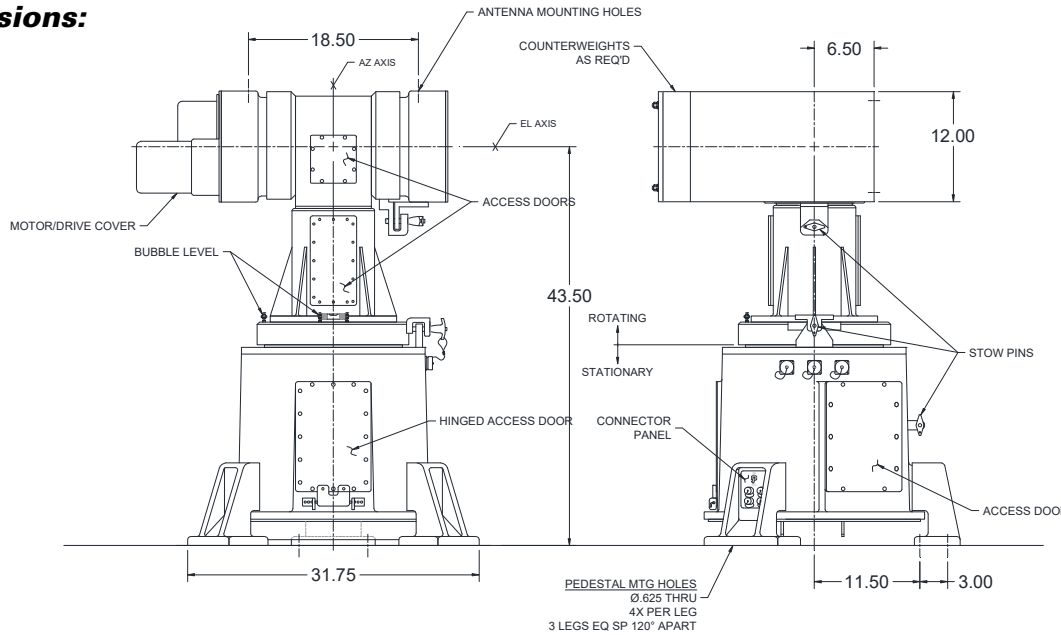
- Totally Enclosed, Environmentally Sealed
- Corrosion Resistant Hardware
- Designed to Military Requirements
- Design to Service Requirements

**Available on Select Models:**

- Rotary Joints, Slip Ring, Waveguide
- Hand Crank, AZ Mechanical Stop
- Integral Controller
- Stow Pins, Failsafe Brakes
- Manual / Electronic Brake Release
- Alternate Mounting
- Dual and/or Antenna Polarization Drive



**Dimensions:**



**Parameters:**

		<b>Azimuth</b>	<b>Elevation</b>
<b>Fixed:</b>	<b>Rated Gear Strength</b>	2000 lb-ft	1400 lb-ft
	<b>Compliance</b>	1.00E-06 rad/lb-ft	1.00E-06 rad/lb-ft
	<b>Overturn Moment</b>	12,000 ft-lb	
<b>Variable</b>	<b>Motor Size</b>	0.5 HP DC (Brush Servo)	0.5 HP DC (Brush Servo)
	<b>Drive Configuration</b>	Gear Drive, Single	Gear Drive, Single
	<b>Torque, Continuous</b>	500 lb-ft	500 lb-ft
	<b>Torque, Peak</b>	800 lb-ft	800 lb-ft
	<b>Gear Ratio</b>	391.7 : 1	380.8 : 1
	<b>Travel</b>	Continuous 360°	-5° to 95°
	<b>Max Velocity</b>	20 °/s	20 °/s
	<b>Max Acceleration</b>	20 °/s <sup>2</sup>	20 °/s <sup>2</sup>
	<b>Backlash</b>	< 0.04°	< 0.05°
	<b>Data Package</b>	1:1	1:1
	<b>Limit Switches</b>	NONE	(1) UP, (1) DN, INTLK
	<b>Weight</b>	550 lbs	

- Notes:**
- 1) Variable parameters may be changed by revising component selection to be more suitable for your particular application
  - 2) Specifications subject to change without notice.