

General Information:

All of RPM's Standard Products are designed using COTS (Commercial Off-The-Shelf) components wherever possible. Standard products are easily modified to meet almost any specification. Custom designs, are available on request or as specifications dictate.

Standard Features:

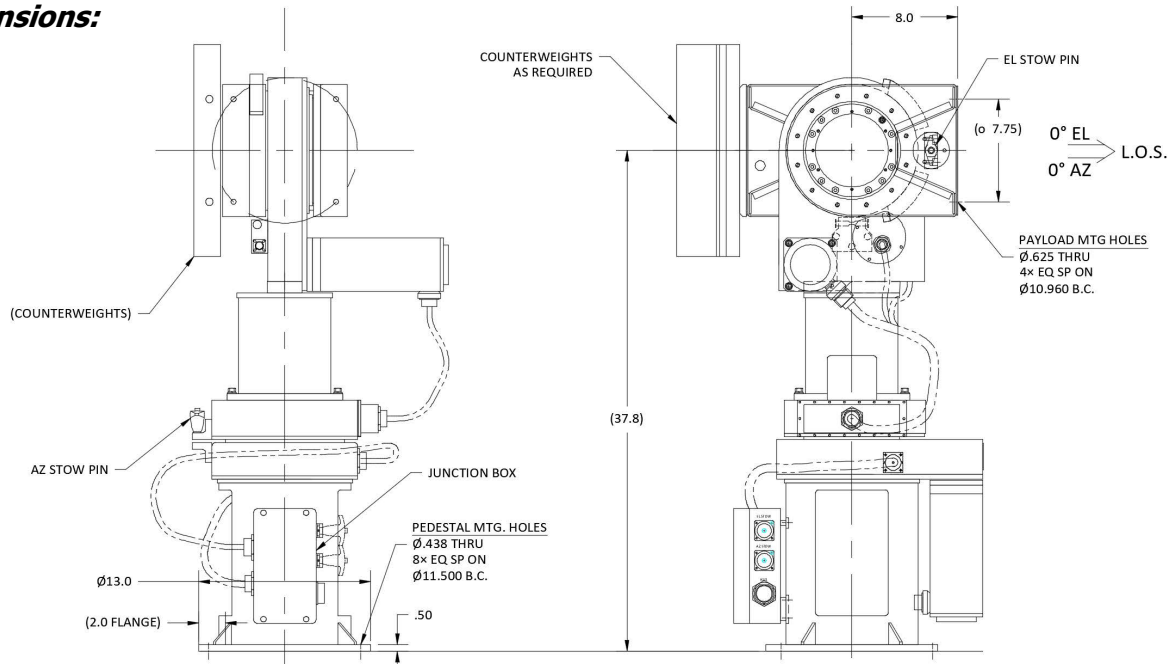
- Modular construction
- Environmentally Sealed
- Corrosion Resistant Hardware
- Fully Ruggedized
- Design to Service Requirements

Available on Select Models:

- Rotary Joints, Slip Ring, Waveguide
- Hand Crank, AZ Mechanical Stop
- Integral Controller
- Stow Pins, Failsafe Brakes
- Manual / Electronic Brake Release
- Alternate Mounting
- Dual and/or Antenna Polarization Drive



Dimensions:



Parameters:

	Azimuth	Elevation
Fixed:	Rated Gear Strength	400 lb-ft
	Compliance	2.60E-06 rad/lb-ft
	Overturn Moment	2,000 ft-lb
Variable:	Motor Size	0.5 HP DC
	Drive Configuration	Gear Drive, Single
	Torque, Continuous	70 lb-ft
	Torque, Peak	70 lb-ft
	Gear Ratio	92 : 1
	Travel	Continuous 360°
	Max Velocity	198 °/s
	Max Acceleration	198 °/s ²
	Backlash	< 0.04°
	Data Package	23-Bit Resolution
	Limit Switches	NONE
Weight	160 lbs	

- Notes:**
- 1) Variable parameters may be changed by revising component selection to be more suitable for your particular application
 - 2) Specifications subject to change without notice.