

**General Information:**

All of RPM's Standard Products are designed using COTS (Commercial Off-The-Shelf) components wherever possible. Standard products are easily modified to meet almost any specification. Custom designs, are available on request or as specifications dictate.

**Standard Features:**

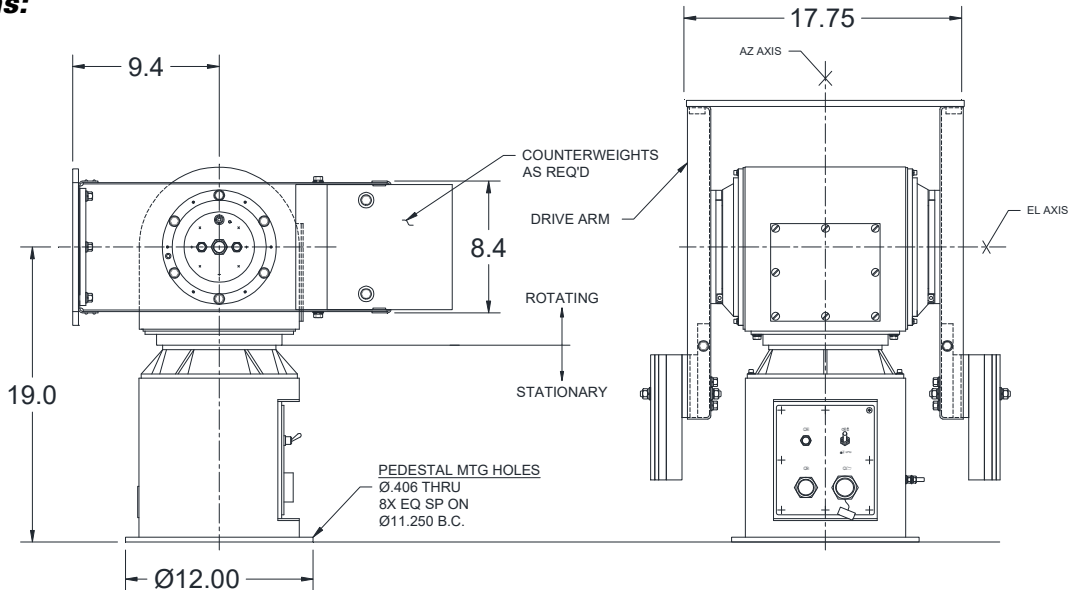
- Modular Construction
- Totally Enclosed, Environmentally Sealed
- Corrosion Resistant Hardware
- Designed to Military Requirements
- Design to Service Requirements

**Available on Select Models:**

- Rotary Joints, Slip Ring, Waveguide
- Hand Crank, AZ Mechanical Stop
- Integral Controller
- Stow Pins, Failsafe Brakes
- Manual / Electronic Brake Release
- Alternate Mounting
- Dual and/or Antenna Polarization Drive



**Dimensions:**



**Parameters:**

	<b>Azimuth</b>	<b>Elevation</b>	
<b>Fixed:</b>	<b>Rated Gear Strength</b>	250 lb-ft	
	<b>Compliance</b>	5.00E-05 rad/lb-ft	
	<b>Overturn Moment</b>	1,760 ft-lb	
<b>Variable</b>	<b>Motor Size</b>	128 Watt DC	
	<b>Drive Configuration</b>	Gear Drive, Single	
	<b>Torque, Continuous</b>	100 lb-ft	
	<b>Torque, Peak</b>	---	
	<b>Gear Ratio</b>	344.4 : 1	
	<b>Travel</b>	Continuous 360°	
	<b>Max Velocity</b>	30 °/s	
	<b>Max Acceleration</b>	30 °/s <sup>2</sup>	
	<b>Backlash</b>	< 0.04°	
	<b>Data Package</b>	15-bit Resolution	
	<b>Limit Switches</b>	NONE	(1) UP, (1) DN, INTLK
	<b>Weight</b>	100 lbs	

- Notes:**
- 1) Variable parameters may be changed by revising component selection to be more suitable for your particular application
  - 2) Specifications subject to change without notice.